



INSTALLATION AND OPERATION INSTRUCTIONS FOR THREE PHASE MODEL D3E

DEPTHCHARGER™

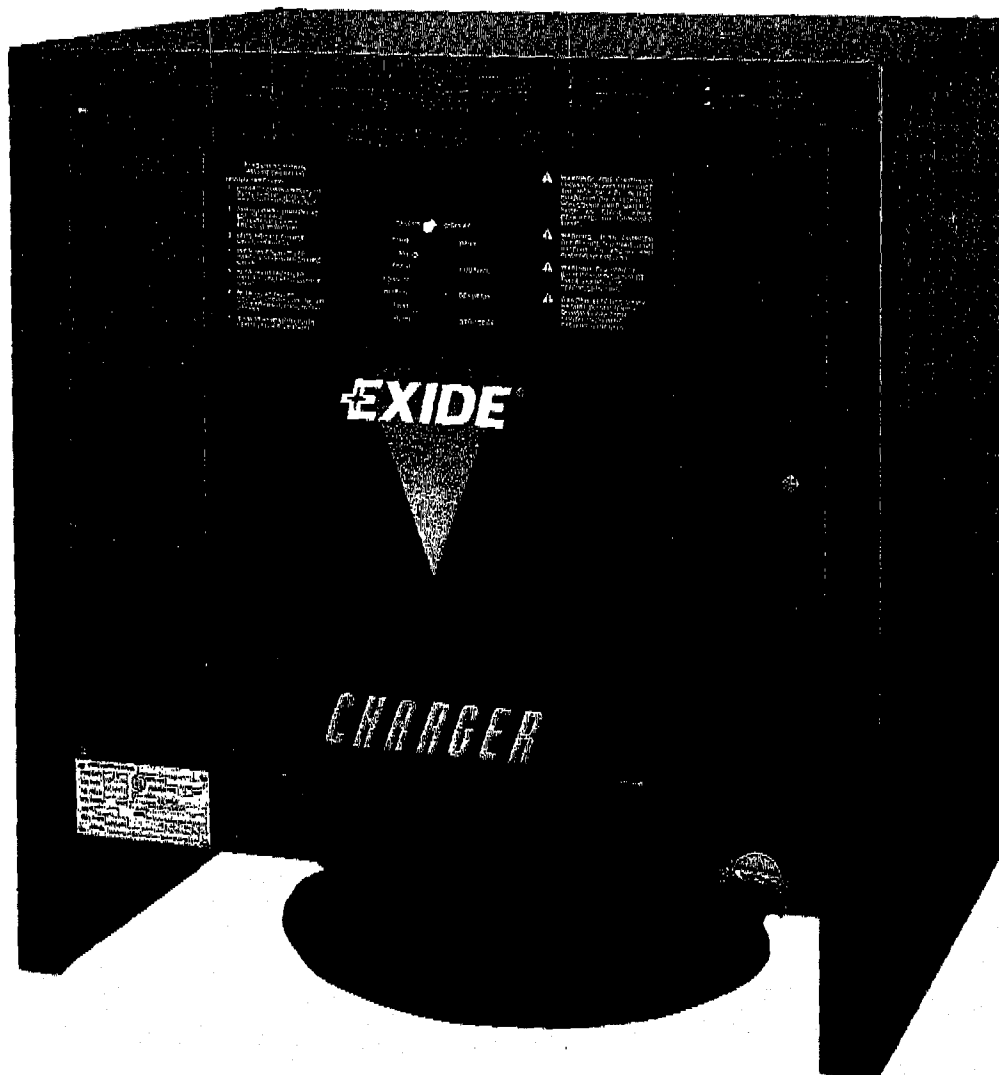


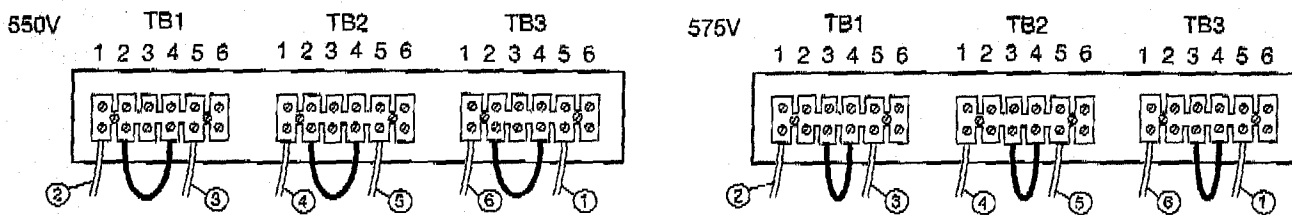
Table 1. Input Voltage Connections

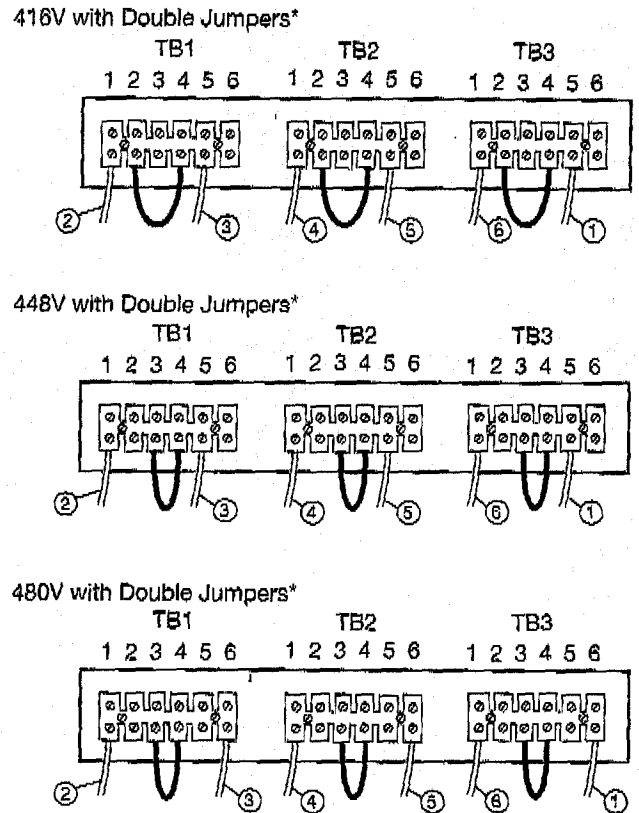
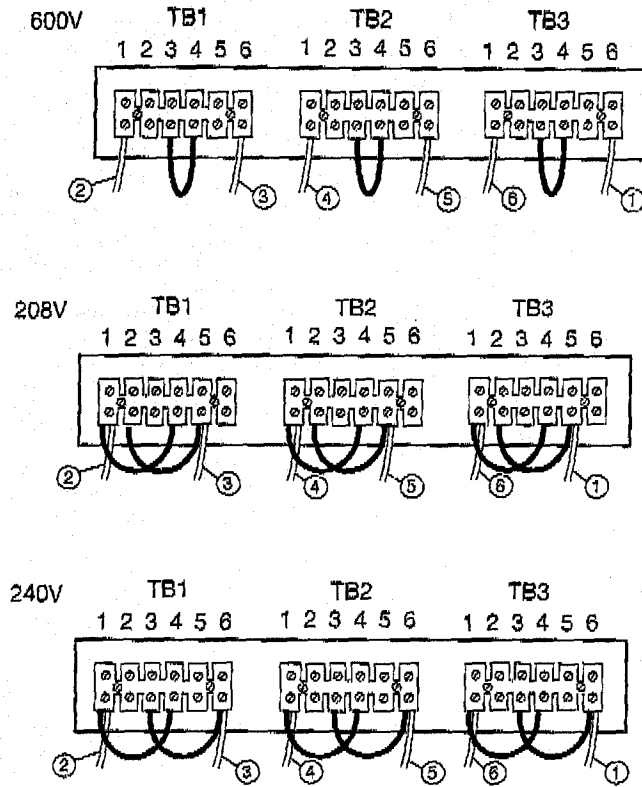
Input Voltage	Connect Wire #3	Connect Wire #5	Connect Wire #1	Jumper 1	Jumper 2
208V	TB1-5	TB2-5	TB3-5	TB1-1 TO TB1-4 TB2-1 TO TB2-4 TB3-1 TO TB3-4	TB1-2 TO TB1-5 TB2-2 TO TB2-5 TB3-2 TO TB3-5
240V	TB1-6	TB2-6	TB3-6	TB1-1 TO TB1-4 TB2-1 TO TB2-4 TB3-1 TO TB3-4	TB1-3 TO TB1-6 TB2-3 TO TB2-6 TB3-3 TO TB3-6
416V	TB1-5	TB2-5	TB3-5	TB1-2 TO TB1-4 TB2-2 TO TB2-4 TB3-2 TO TB3-4	Double the wires (parallel)
448V	TB1-5	TB2-5	TB3-5	TB1-3 TO TB1-4 TB2-3 TO TB2-4 TB3-3 TO TB3-4	Double the wires (parallel)
480V	TB1-6	TB2-6	TB3-6	TB1-3 TO TB1-4 TB2-3 TO TB2-4 TB3-3 TO TB3-4	Double the wires (parallel)

Input Voltage	Connect Wire #3	Connect Wire #5	Connect Wire #1	Jumper 1	Jumper 2
220V	TB1-6	TB2-6	TB3-6	TB1-1 TO TB1-4 TB2-1 TO TB2-4 TB3-1 TO TB3-4	TB1-3 TO TB1-6 TB2-3 TO TB2-6 TB3-3 TO TB3-6
380V	TB1-5	TB2-5	TB3-5	TB1-3 TO TB1-4 TB2-3 TO TB2-4 TB3-3 TO TB3-4	Double the wires (parallel)
440V	TB1-6	TB2-6	TB3-6	TB1-3 TO TB1-4 TB2-3 TO TB2-4 TB3-3 TO TB3-4	Double the wires (parallel)

Input Voltage	Connect Wire #3	Connect Wire #5	Connect Wire #1	Jumper
550V	TB1-5	TB2-5	TB3-5	TB1-2 TO TB1-4 TB2-2 TO TB2-4 TB3-2 TO TB3-4
575V	TB1-5	TB2-5	TB3-5	TB1-3 TO TB1-4 TB2-3 TO TB2-4 TB3-3 TO TB3-4
600V	TB1-6	TB2-6	TB3-6	TB1-3 TO TB1-4 TB2-3 TO TB2-4 TB3-3 TO TB3-4

Figure 1. AC Taps for 60 Hz Models





*Double Jumpers are two wires in parallel

DC FUSES

These DC fuses are a special type of fuse. Be sure to only use identical replacement fuses, obtainable from your Yuasa-Exide distributor.

STACKING MULTIPLE CHARGERS

Some D3E models can be stacked up to 3 units high.

Table 2. Stackable Charges*

Cell Size	Models that Can be stacked
6	All models
12	All models
15, 16	All models
18	550 through 1200 AH
24	200 through 1050 AH
36	450 through 680 AH

* FOR MODELS NOT LISTED IN THIS TABLE, CONTACT YOUR YUASA-EXIDE REPRESENTATIVE.

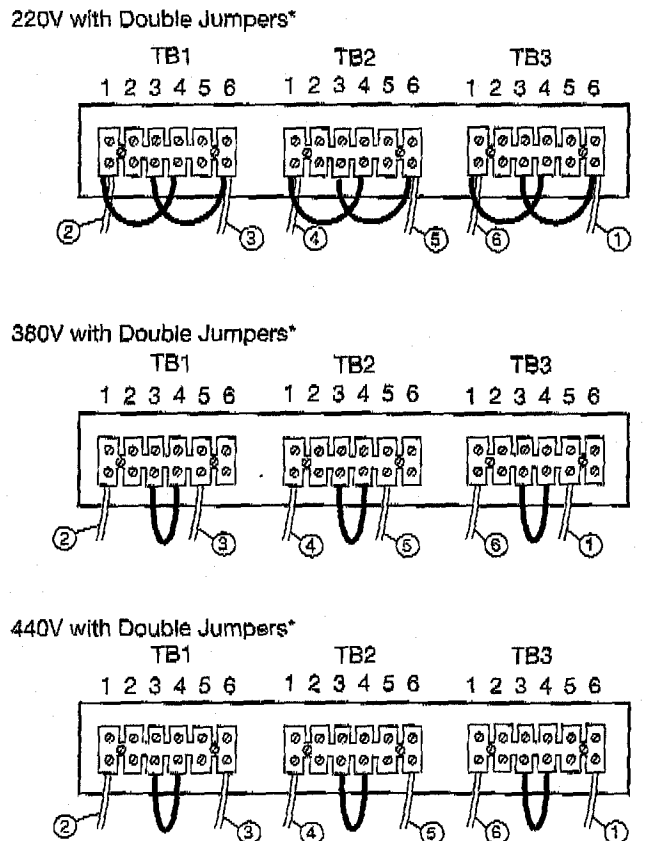
WARNING !

Do not lean on stacked chargers.

To stack chargers, please follow these steps:

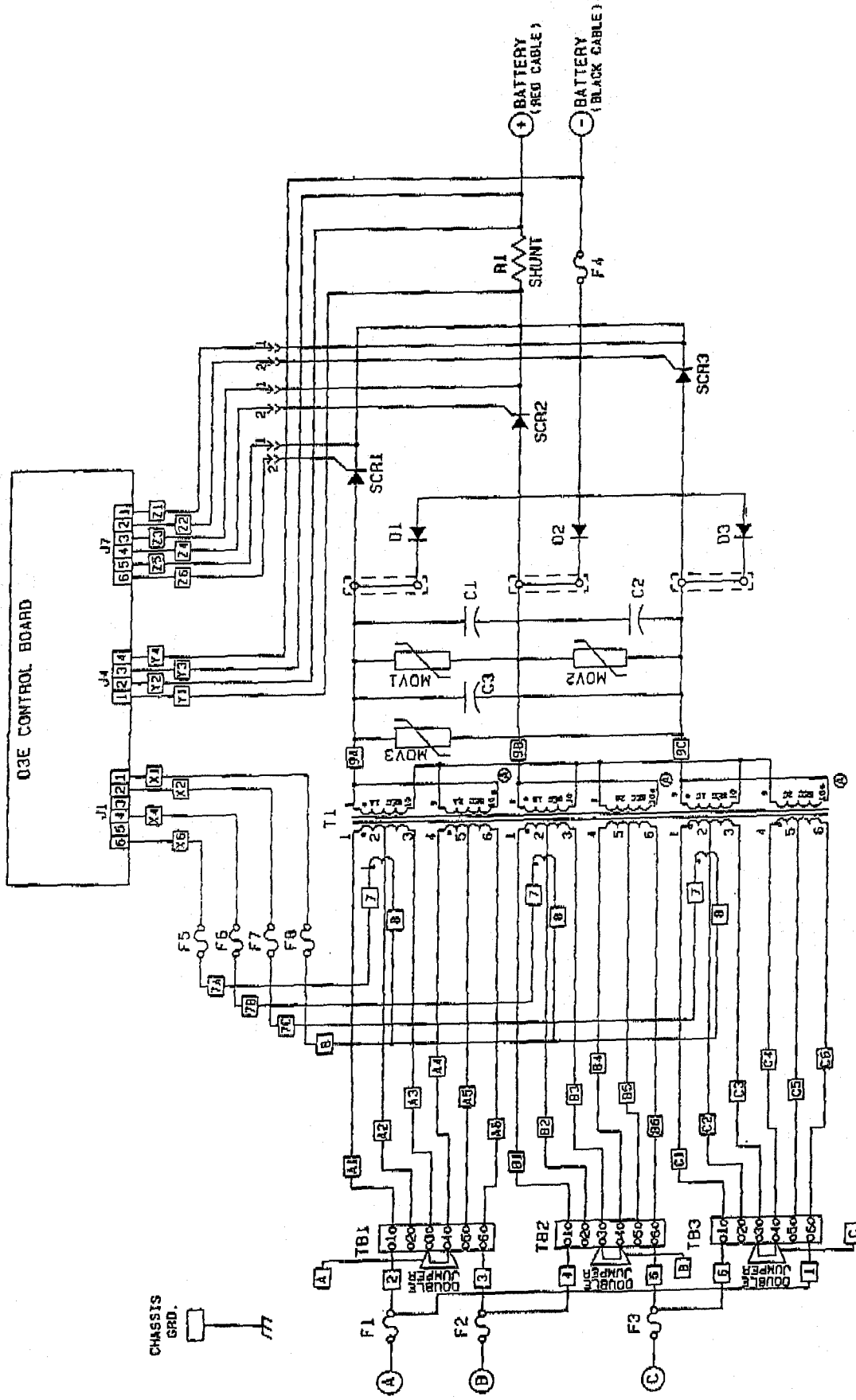
1. Position the first charger so that a minimum of 4 inches of space is between the charger and any wall, and 6 inches between the charger and any other equipment.
2. Place the second charger on top of the first charger. Align the bolt holes on the bottom of the top charger with

Figure 2. AC Taps for 50 Hz Models



*Double Jumpers are two wires in parallel

Figure 4. Charger Wiring Diagram



NOTE:
 1. TRANSFORMER T1 IS SHOWN CONNECTED FOR 480 VOLT
 INPUT. CONSULT OPERATING INSTRUCTIONS FOR OTHER
 VOLTAGES. See Figures 1, 2, 3.

DIAGRAM, SCHEMATIC
 FOR "D3E CHARGER"